



UTTERMOST

ASSEMBLY INSTRUCTIONS

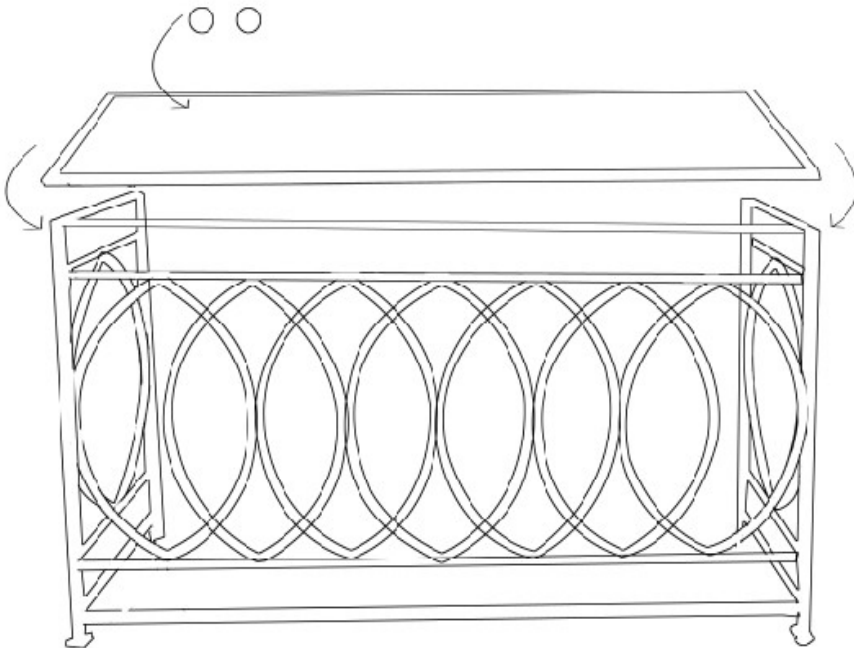
Item#24306

Parts List

Top Frame	1pcs
Shelf	1pcs
Glass	1pcs
Glass sucker	10pcs

Hardware List

nut	8pcs
wrench	1pcs



1. Take the parts carefully out of the carton, and place them on a flat surface, make sure the parts will not be damaged.

2. Place shelf on a flat surface.

3. Put top frame on the top of shelf through the hole on the shelf, screw nut on the bolt tightly using wrench.

4. Put glass suckers on the small hole of top frame, then put glass in top frame. Assembly complete.